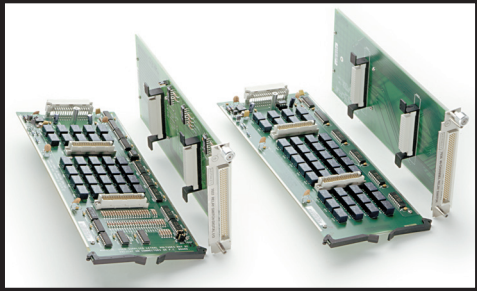


7036, 7036-D 7037, 7037-D



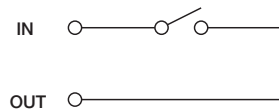
- Mass terminated connection
- 1A switch rating
- <math><100\mu\text{A}</math> offset current
- <math><4\mu\text{V}</math> contact potential

Ordering Information

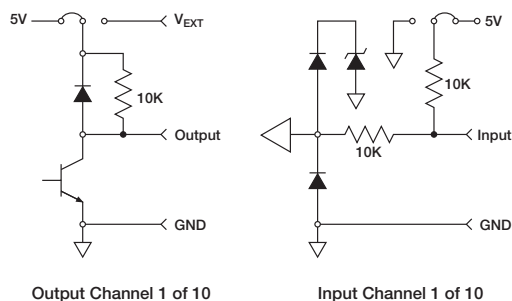
- 7036** Single-Pole Relay Card
7036-D Single-Pole Relay Card with D-Sub Connectors
7037 Single-Pole Relay Digital I/O Card
7037-D Single-Pole Relay Digital I/O Card with D-Sub Connectors

Relay switch configuration for Models 7036, 7036-D, 7037, and 7037-D

Each Channel



Digital I/O configuration for Models 7037 and 7037-D



40-Channel Isolated Switch Cards 30-Channel Digital I/O Cards

The Model 7036, 7036-D, 7037, and 7037-D single-pole relay switching cards are well-suited for configuring automated test systems for portable devices. The Model 7036 and 7036-D offer 40 independent channels of 1-pole Form A switching, while the Model 7037 and 7037-D provide 30 channels, plus ten independent digital inputs and ten independent digital outputs for control applications. The 7036 and 7037 provide a 96-pin mass terminated connector. The 7036-D and 7037-D have two heavy duty 50-pin D-sub connectors at the ends of short cables. The D-sub connector version is designed for industrial/production applications where repeated connects/disconnects with external cables are required. The 7037-DT is an extra connector board for the 7036-D and 7037-D cards that can be used to upgrade a standard 7036-D to 7036 or 7037-D to 7037.

MODEL 7036 and 7036-D SPECIFICATIONS

RELAY SWITCH SPECIFICATIONS

RELAY SWITCH CONFIGURATION: 40 independent channels of 1-pole switching.

CONTACT CONFIGURATION: 1 pole Form A.

CONNECTOR TYPE: 7036: 96-pin male DIN card connector.

7036-D: Cables with 50-pin male and female D-sub connectors.

MAXIMUM SIGNAL LEVEL: 60V DC, 30V rms, 42V peak between any two inputs or chassis, 1A switched, 30VA (resistive load).

CONTACT LIFE: Cold Switching: 10^8 closures.

At Maximum Signal Levels: 10^5 closures.

CHANNEL RESISTANCE (per conductor): <math><1\Omega</math>.

CONTACT POTENTIAL: <math><4\mu\text{V}</math> per contact.

OFFSET CURRENT: <math><100\text{pA}</math>.

ACTUATION TIME: 3ms.

ISOLATION: Channel to Channel: 7036: > $10^9\Omega$, <math><25\text{pF}</math>
7036-D: > $10^9\Omega$, <math><60\text{pF}</math> **Common Mode:** > $10^9\Omega$, <math><100\text{pF}</math>

CROSSTALK (1MHz, 50 Ω Load): 7036: <math><-40\text{dB}</math>
7036-D: <math><-30\text{dB}</math>.

INSERTION LOSS (50 Ω Source, 50 Ω Load): <math><0.3\text{dB}</math> below 1MHz, <math><3\text{dB}</math> below 10MHz.

RELAY DRIVE CURRENT (per relay): 16mA.

7036/7036-D/7037/7037-D GENERAL

EMC: Conforms to European Union Directive 89/336/EEC.

SAFETY: Conforms to European Union Directive 73/23/EEC (meets EN61010-1/IEC 1010).

ENVIRONMENT: Operating: 0° to 50°C, up to 35°C <math><80\%</math> RH. **Storage:** -25° to 65°C.

MODEL 7037 AND 7037-D SPECIFICATIONS

RELAY SWITCH SPECIFICATIONS

RELAY SWITCH CONFIGURATION: 30 independent channels of 1-pole switching.

CONTACT CONFIGURATION: 1 pole Form A.

CONNECTOR TYPE: 7037: 96-pin male DIN card connector.

7037-D: Cables with 50-pin male and female D-sub connectors.

MAXIMUM SIGNAL: 110V DC, 110V rms, 155V peak between any two inputs or chassis, 1A switched, 30VA (resistive load).

CONTACT LIFE: Cold Switching: 10^8 closures.

At Maximum Signal Levels: 10^5 closures.

CHANNEL RESISTANCE (per conductor): <math><1.25\Omega</math>.

CONTACT POTENTIAL: <math><4\mu\text{V}</math> per contact.

OFFSET CURRENT: <math><100\text{pA}</math>.

ACTUATION TIME: 3ms.

ISOLATION: Channel to Channel: > $10^9\Omega$, <math><25\text{pF}</math>
Common Mode: > $10^9\Omega$, <math><100\text{pF}</math>

CROSSTALK (1MHz, 50 Ω Load): <math><-40\text{dB}</math>.

INSERTION LOSS (50 Ω Source, 50 Ω Load): <math><0.25\text{dB}</math> below 1MHz, <math><3\text{dB}</math> below 10MHz.

RELAY DRIVE CURRENT (per relay): 16mA.

DIGITAL I/O SPECIFICATIONS

DIGITAL I/O CAPABILITY: 10 independent inputs. 10 independent outputs.

OUTPUT:

Configuration: 10 open-collector drivers with factory installed 10k Ω pull-up resistors. Each driver has an internal flyback diode.

Pull-Up Voltage: 5V internally supplied, external connection provided for user-supplied voltage up to 42V max. Outputs short circuit protected up to 25V

Maximum Sink Current: Per Channel: 250mA. **Per Card:** 1A.

Logic: Hardware user configurable for negative or positive true logic levels.

INPUT:

Configuration: 10 inputs with internal 10k Ω pull-up resistors provided. Input resistors can be set for pull-up or pull-down configuration.

MAXIMUM VOLTAGE LEVEL: 42V peak.

LOGIC: Positive true.

ACCESSORIES AVAILABLE

- 7011-KIT-R 96-Pin Female Connector Kit (included)
 7011-MTR 96-Pin Male Bulkhead Mount Connector
 7036-MTC-2 Mass Terminated Cable Assembly
 7036-DT Extra Connector Board for the 7036-D Card
 7037-DT Extra Connector Board for the 7037-D Card

1.888.KEITHLEY (U.S. only)

www.keithley.com

KEITHLEY